

**SPECIFICATIONS**

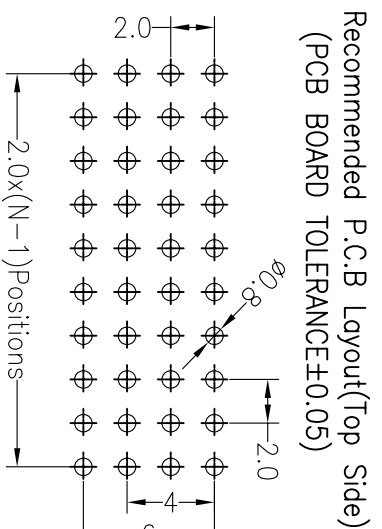
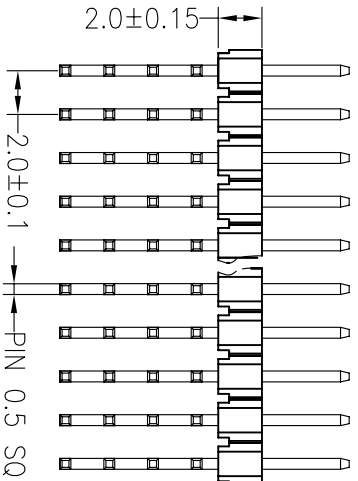
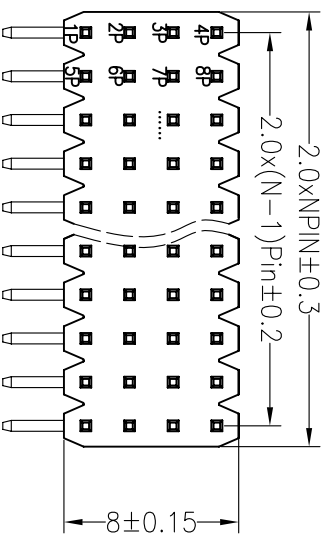
Rated Current: 1.5AMP  
 Contact Resistance: 20mΩ Max  
 Withstand Voltage: 500V AC/DC  
 Insulation Resistance: 1000MΩ Min  
 Operation Temperature: -40°C to +105°C

Contact Material: Brass  
 Contact Plating: Au or Sn Over Ni  
 Insulator Material: Polyester (UL94V-0)  
 Standard: PBT  
 Max. Processing Temp: 180°C for 30-60 seconds  
 (200°C for 5 seconds)

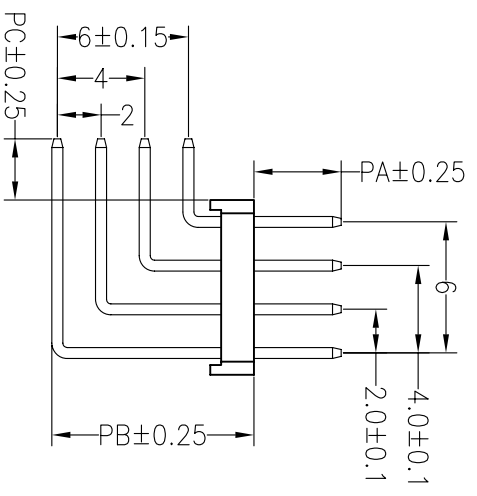
**Ordering Information**

1320-14 XX X N XX R XXX X 01

No. of Pins Per Row 1x40  
 Insulator Material Option  
 A=BK-PBT  
 C=BK-PA6T  
 D=BK-PA46  
 E=BK-PA9T  
 F=BK-LCP  
 Contact Plating  
 G0: Gold Flash  
 G1: 1U" Gold  
 G2: 1.5U" Gold  
 G3: 2U" Gold  
 G4: 3U" Gold  
 S0: Gold Flash/Tin  
 SN: Tin  
 Pin Length  
 Post  
 A=Troy  
 T=Tube  
 O=Pe  
 R=Tap&Reel  
 P=Tube&Reel



Recommended P.C.B. Layout (Top Side)  
 (PCB BOARD TOLERANCE ±0.05)



Dimension antitheses list

ITEM	PA	PB	PC	L1	L2	L3	L3
Standard	4.00	9.40	2.80	10.50	14.50	18.50	22.50
Alternate							

REV	DATE	MODIFICATION DESCRIPTION	CHANGE	OPERATION	DRAW	BEN	SCALE	FIT	TITLE:
A0	2012.04.11	NEW DRAWING		X.X ±0.30	CHECK	12.04.11	mm	A4	1320-14XXXXKRX01
1				X.XX ±0.20			mm	1/1	2.0PH 4XNpin H2.0mm 90°
				X.XXX ±0.10					
				Angle ±3°					
				DIM TOL					

**JIN** 深圳市锦凌电子有限公司  
 SHENZHEN JINLING ELECTRONIC CO.,LTD  
 Tel: 86-755-2997-5806/5802 Fax: 86-755-2997-5992